

DATASHEET



ENGLISH

## OUR D SERIES

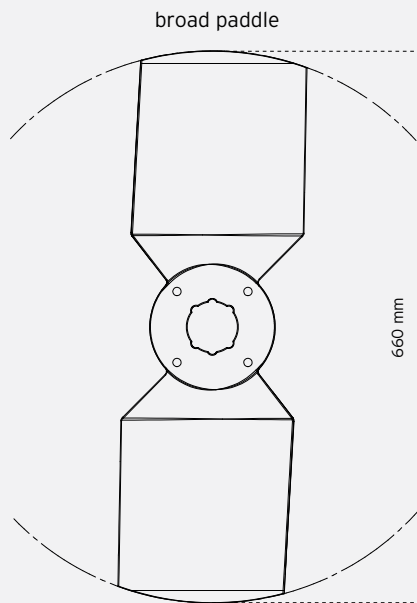
The D series covers diameters from 360mm up to 660mm. The relatively small diameter and the broad, paddle-shaped profile of the fan blades makes the D series ideal for smaller heat exchanger applications such as oil coolers, air-cooled condensers and dry coolers. With fan blades of glass reinforced polyamide it can be used in low temperature evaporator applications as well.

The D series provides a successful combination of high airflow and high-pressure rates at low speeds and produces low noise levels. The fact that it's made up of a modest number of components makes it highly cost-efficient.

### Dimensions

8D max. diameter mm	Pos. in hub	Ø Bore Min.-max.	Length of hub mm
660	2-4	12.7-66.68 using Taper Lock	60

All dimensions are in mm.  
The max. diameter may vary depending on the blade material.



8D

### Design Features

- Injection moulded impeller of engineered thermoplastic materials. The fan blades are moulded in pairs of two.
- Impeller has 2 or 4 fixed pitch, positively set fan blades. The fan blades have a unique broad paddle shaped profile and are available in 4 standard pitch angles of 25°, 30°, 35°, and 40°.
- Only available in a configuration where the fan blades rotate in a clockwise direction when facing the air stream.
- One-piece aluminium-alloy boss, which is available in a range of bore/fixing configurations.
- Two blade materials to suit different applications.

### Materials

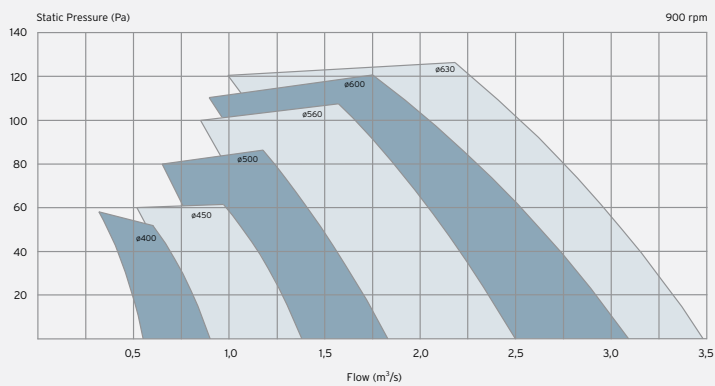
The bosses are as standard manufactured in a pressure die cast silumin alloy (EN AC-AI Si12Cu1(Fe)). The fan blades are available in 2 different materials:

**PAGAS** Anti static glass reinforced polyamide  
Temperature range: -40°C to +110°C

**PAGI** Glass reinforced polyamide, industrial quality  
Temperature range: -40°C to +110°C

We reserve the right to change the materials of manufacture. The values for the mechanical properties are mean values and can be subject to variations due to the use of different suppliers.

### Selection guide



### Selection guide

