



DATASHEET

ENGLISH

OUR H SERIES

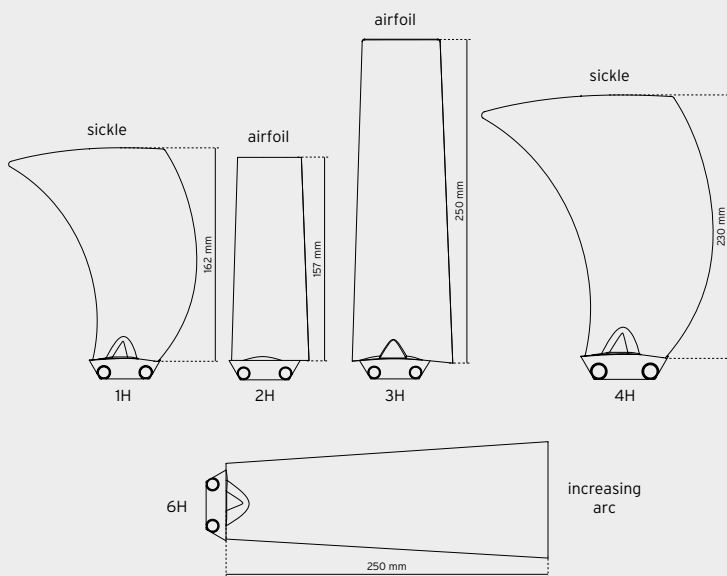
The H series covers diameters from 225 mm up to 742 mm. As with all Multi-Wing impellers, the H series is designed to have high efficiency and low noise level and to be corrosion resistant. It is robust yet light-weight resulting in less wear and stress on motors and bearings.

Its compact but solid design is well suited for a variety of applications. For engine and compressor cooling this impeller type offers a flexible solution that will meet all dimensioning criteria - especially when noise levels are critical. Type H is also applicable to agricultural ventilation, which calls for high performance at low static pressure. For cooling applications, this type is often used in evaporators and in smaller condensers.

Max diameter

Blade type					Pos. in hub
1H	2H	3H	4H	6H	No.
394	384	570	530	570	3
422	411	597	557	597	6
458	448	634	594	634	8
496	486	672	632	672	10
528-530	520	706	666	706	12
563-566	556	742	702	742	14

All dimensions are in mm.
The max. diameter may vary depending on the blade material.



Design Features

- 5 fan blades of different designs and sizes with fixed pitch setting.
- 6 standard pitch angles ranging from 25° to 50° with 5° increment.
- Fan blades for both clockwise and counter-clockwise rotation.
- 6 hub sizes (3, 6, 8, 10, 12 & 14 blades all symmetrically arranged), each available in a range of bore/fixing configurations.

Materials

The hub parts are as standard manufactured in a pressure die cast silumin alloy (EN AC-AI Si12 Cu1 (Fe)). The 6 and 8-blade hubs are also available in a version manufactured in glass reinforced polypropylene (PPG), whereas the 3-blade hub is only available in a version manufactured in glass reinforced polyamide (PAG).

PPG Glass reinforced polypropylene
Temperature range: -10°C to +80°C

PAG Glass reinforced polyamide
Temperature range: -40°C to +120°C

PAGAS Anti static glass reinforced polyamide
For explosion proof working conditions
Temperature range: -40°C to +110°C

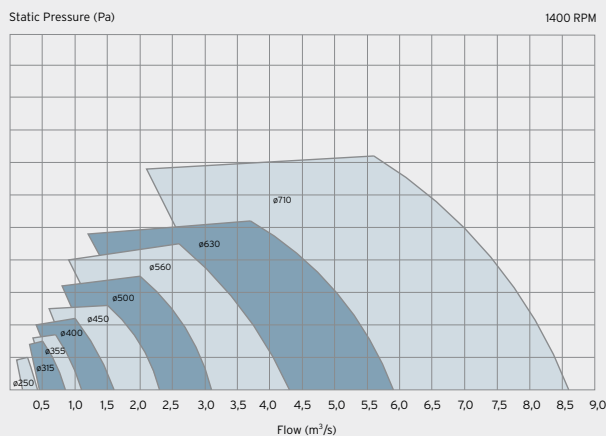
PAGST Vibration stabilised glass reinforced polyamide
Temperature range: -40°C to +110°C

AL Aluminium
Temperature range: -60°C to +245°C
Standard alloy for the fan blades is EN AC-AI Si12 Cu1 (Fe).

Please observe penalty factors for operation above listed max temperatures. For further information on high temperature operation please refer to Multi-Wing's Optimiser programme.

We reserve the right to change the materials of manufacture. The values for the mechanical properties are mean values and can be subject to variations due to the use of different suppliers.

Selection guide



Selection guide

