

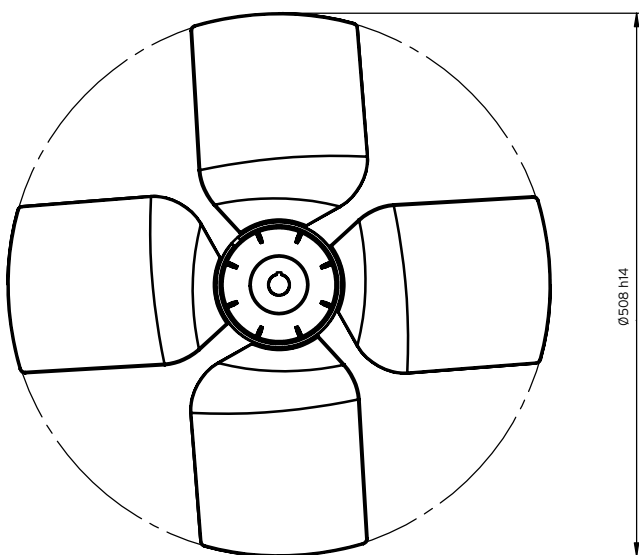
OUR M SERIES

ENGLISH

DATASHEET

The M series covers diameters from 300mm up to 508mm. The M series is engineered to meet the demands of smaller heat exchangers such as oil coolers, air-cooled condensers and dry coolers. With fan blades of glass reinforced polyamide this impeller can also be used in low temperature evaporator applications.

It provides high-pressure capability at low speeds resulting in low noise levels in most compact heat exchangers. The one-piece moulded design makes it highly price-competitive.



DESIGN FEATURES

- One-piece injection moulded impeller of engineered thermoplastic materials.
- Impeller has 4 fixed pitch, positively set fan blades. The fan blades have a unique broad paddle shaped profile and are available in 3 standard pitch angles of 30°, 35°, and 40°.
- Only available in a configuration where the fan blades rotate in a clockwise direction when facing the air stream.
- One-piece aluminium-alloy boss, which is available in a range of bore/fixing configurations.
- Also available in a version accommodating a range of thermoplastic taper-lock bushings.

MATERIALS

The bosses are as standard manufactured in a pressure die cast silumin alloy (EN AC-Al Si12Cu1(Fe)). The fan blades are available in below listed material.

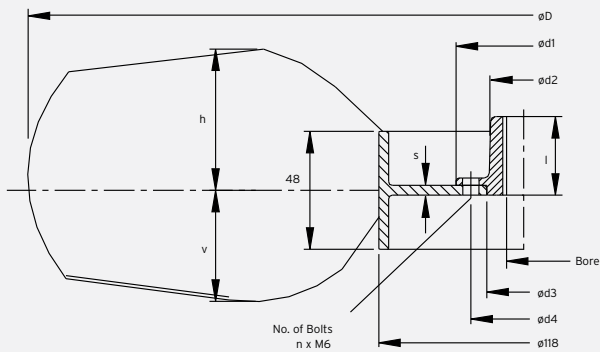
PAGI Glass reinforced polyamide, industrial quality
Temperature range: -40°C to +110°C
Please observe penalty factors for temperatures above 40°C.

The taper-lock bushings are manufactured in **PAG** glass reinforced polyamide

We reserve the right to change the materials of manufacture.
The values for the mechanical properties are mean values and can be subject to variations due to the use of different suppliers.

ø D max.	Blade no.	ø Bore	Hub						
			Min - Max	l	d1	d2	d3	d4	s
508	4	0 - 16	32	55	28	30	43	4	4
		17 - 24	42	55	40	30	43	4	4

Taper-lock bushings in PAG	Bore size / key or keyway size					
	8/0	9/3	11/4	12,7/0	14/5	15,88/4,76
Keyway	-	x	x	-	x	x
Key	-	-	-	-	x	x
Flat	-	-	-	x	-	x



Pitch	30°	35°	40°
Leading edge v +/-2	29	37	45
Trailing edge h +/-2	55	60	67

All dimensions are in mm. Small variations in max. diameters may occur due to different materials and casting tools.

Above are dimensions for standard solutions. Other more customised solutions are also available from stock. Visit multi-wing.com/mseries for more details.

