



DATASHEET

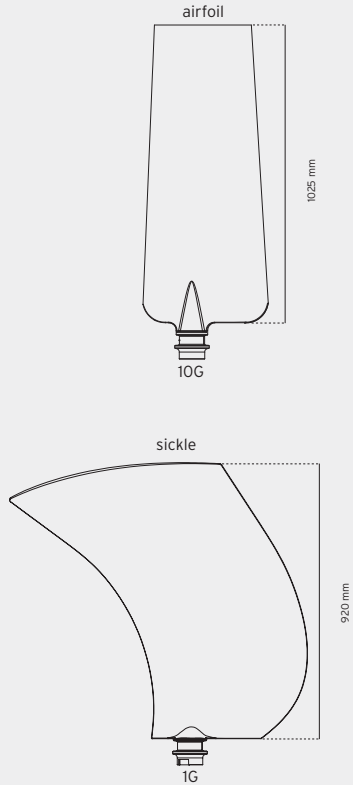
## OUR G SERIES

ENGLISH

The G series is the perfect solution for larger applications that require high efficiency, high-volume airflow and low noise. The series has a diameter range of 1210-2746 millimeters and features two of our most popular axial fans: the 10G airfoil and the 1G sickle.

Our G series sickle fans generate more pressure while reducing noise, and our G airfoil design saves horsepower while generating high-volume airflow for optimum efficiency. The spectrum of G series fans is ideal for applications ranging from industrial heat exchangers to HVACR.

### Blade profiles



### Design Features

Adjustable pitch with 1° increment ranging from 20° to 50°. Fan blades are available for both clock-wise and counter-clock-wise rotation.  
4 hub sizes (3, 5, 6 and 8 fan blades), each available in a range of bore/fixing configurations.

### Materials

The hub parts are as standard manufactured in a gravity die cast silumin alloy (EN AC-AI Si12(a)). The 3-blade hub is manufactured in a pressure die cast silumin alloy (EN AC-AI Si12 CU1 (Fe)). The fan blades are available in the following 3 materials to suit applications with different speeds and ambient temperature.

**PPG** Glass reinforced polypropylene  
Temperature range: -10°C to +90°C

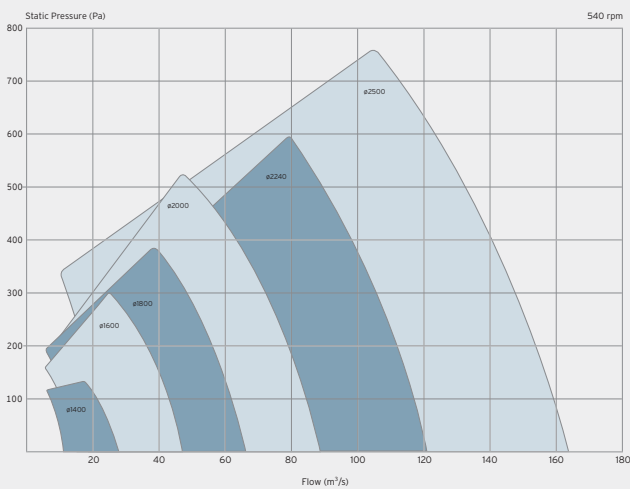
**PAG** Glass reinforced polyamide  
Temperature range: -40°C to +120°C

**PAGAS** Anti static glass reinforced polyamide  
Temperature range: -40°C to +110°C

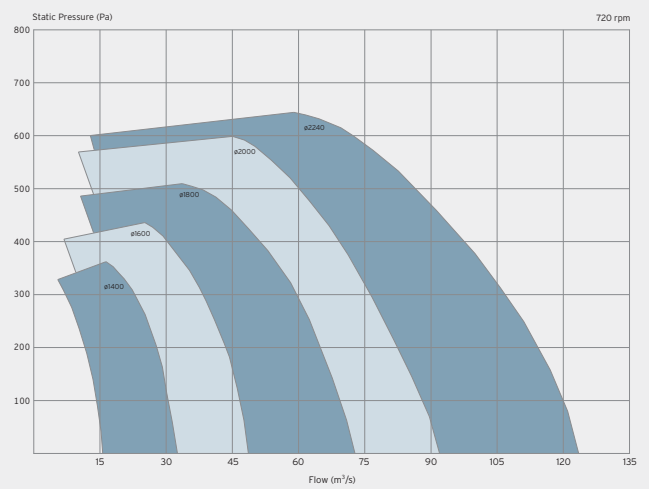
Please observe penalty factors for temperatures above 40°C.

We reserve the right to change the materials of manufacture. The values for the mechanical properties are mean values and can be subject to variations due to the use of different suppliers.

### Selection guide

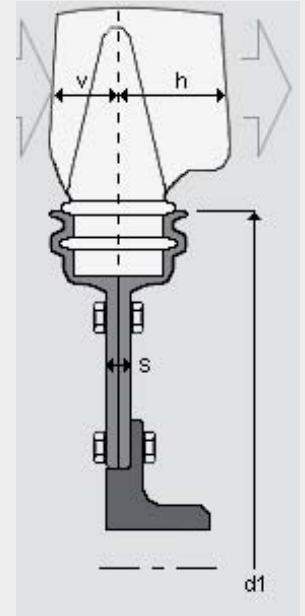


### Selection guide



### Diameters and axial extend

No. of positions in hub	d1	s	1G* max. diameter mm	10G max. diameter mm	Ø Bore Min.-max.	Length of hub mm
3, 5	380	26	2220	2430	12,7 - 66,68 using bushings	60
3, 5	380	26	2220	2430	67 - 80	60
3, 5	380	26	2220	2430	37 - 80	112
3, 5	380	26	2220	2430	47 - 80	142
3, 5	380	26	2220	2430	38 - 80, 90	172
6	480	26	2320	2530	12,7 - 66,68 using bushings	60
6	480	26	2320	2530	67 - 80	60
6	480	26	2320	2530	37 - 80	112
6	480	26	2320	2530	47 - 80	142
6	480	26	2320	2530	38 - 80, 90	172
8	696	26	2536	2746	12,7 - 66,68 using bushings	60
8	696	26	2536	2746	67 - 80	60
8	696	26	2536	2746	37 - 80	112
8	696	26	2536	2746	47 - 80	142
8	696	26	2536	2746	38 - 80, 90	172



All dimensions are in mm. The max. diameter may vary depending on the blade material.  
\*1G fan blades are only available for counter-clockwise rotation.

### Leading edge $v \pm 6$

Pitch	20°	25°	30°	35°	40°	45°	50°
10G	46	58	70	81	93	104	114
1G	45	53	62	71	79	87	94

All dimensions are in mm. The values are intended primarily as a guide and can be subject to variations depending on the material.

### Trailing edge $h \pm 6$

Pitch	20°	25°	30°	35°	40°	45°	50°
10G	105	125	144	162	179	194	208
1G	152	183	212	239	264	288	309

All dimensions are in mm. The values are intended primarily as a guide and can be subject to variations depending on the material.